



International Civil Aviation Organization

**FOURTEENTH MEETING OF THE ASIA/PACIFIC
METEOROLOGICAL INFORMATION EXCHANGE WORKING GROUP
(MET/IE WG/14)**

Bangkok, Thailand, 7 – 9 March 2016

Agenda Item 4 OPMET Exchange

PLANS FOR IWXXM IN AUSTRALIA

(Presented by Australia)

SUMMARY

This paper provides a brief update on the status and plans for the support of ICAO Meteorological Information Exchange Model (IWXXM) format in Australia.

1. INTRODUCTION

1.1 The planned Amendment 77 to Annex 3 recommends the international exchange of XML formatted METAR/SPECI, TAF, AIRMET, SIGMET, VAA and TCA from November 2016.

1.2 At the first meeting of ICAO METP Working Group on Meteorological Information Exchange (WG-MIE), XML/GML representations of AIRMET, Volcanic Ash and Tropical Cyclone Advisories were proposed to be introduced in IWXXM V2. It was also decided that IWXXM messages should not be translated back to TAC messages and distributed; the respective TAC messages should continue to be distributed in parallel.

2. DISCUSSION

2.1 Based on guidelines from ICAO METP Working Group, changes required by Australia RODB include:

- Ability to construct IWXXM variants of received TAC OPMET covered by the baseline version (METAR/SPECI, TAF, SIGMET, AIRMET, VAA and TCA); and
- Exchange IWXXM variants with connected RODBs (Singapore and Fiji).

2.2 The diagrams in Attachment A provide detail on proposed system changes for the support of IWXXM format in Australia.

2.3 The Bureau of Meteorology (BOM) is about to commence the trial generation of SIGMETs in IWXXM v1.1 format and has plans to implement IWXXM v2.x by the end 2016. At this time it is expected that AIRMET, SIGMET, Volcanic Ash Advisories and Tropical Cyclone Advisories will be available in IWXXM v2.x format and plans are being developed for the other formats. In all cases these are being generated in parallel to TAC, rather than translated from TAC.

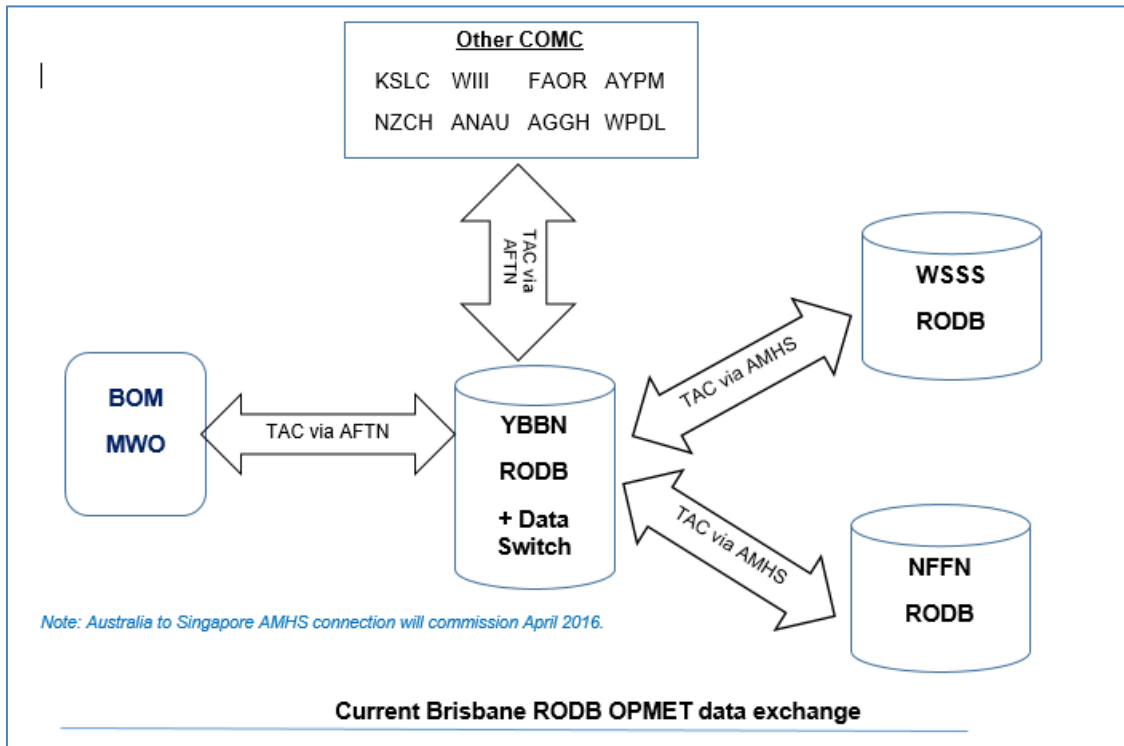
2.4 The generation of IWXXM bulletins and the translation of TAC to IWXXM is planned to be available during 3rd quarter 2017.

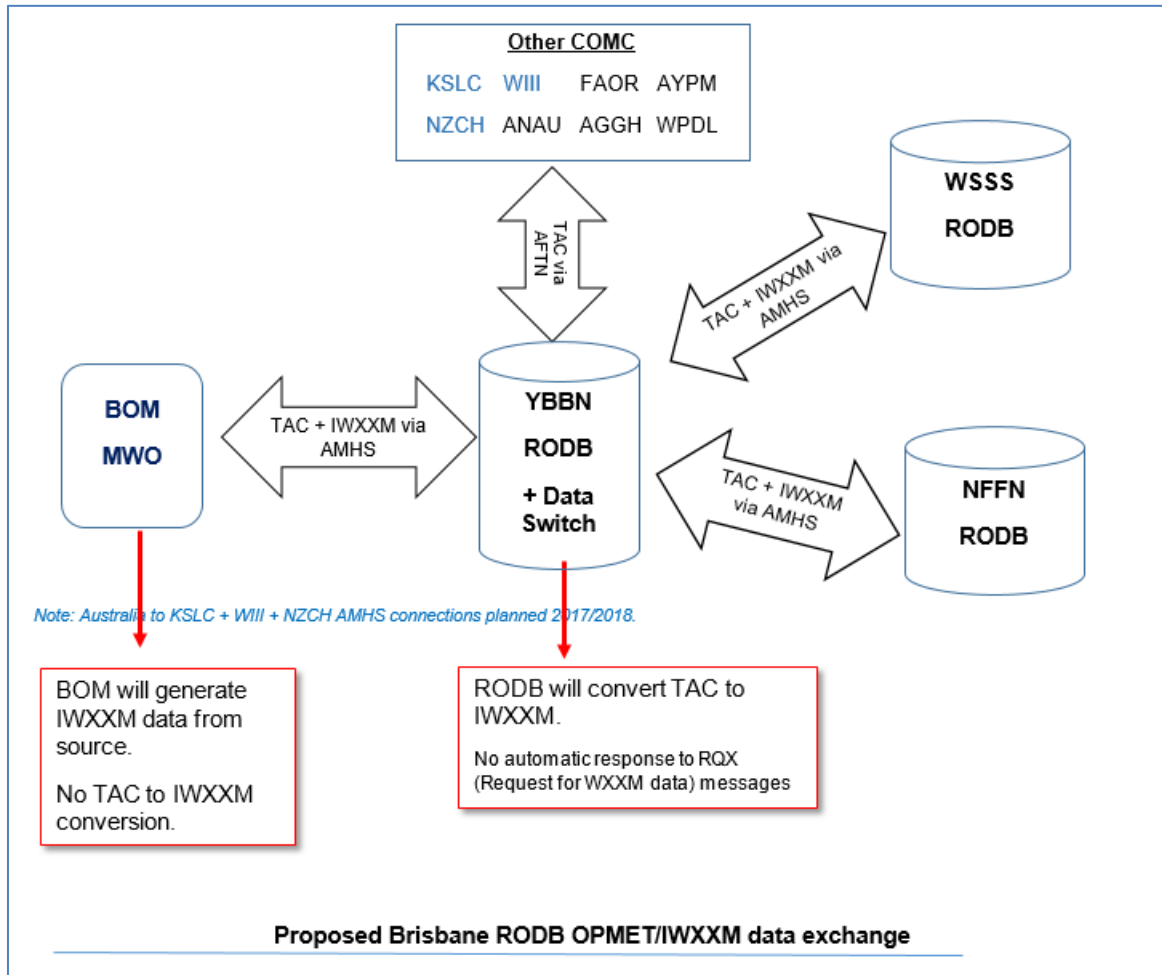
2.5 Initially, responses to requests for IWXXM data (RQX) would be manually generated. This may be reviewed once the regional IWXXM architecture is fully planned and agreed.

3. ACTION REQUIRED BY THE MEETING

3.1 The meeting is invited to note the information contained in this paper.

Attachment A: Current and planned capability within Australia





Note: It's not yet clear when other COMCs will have the ability to generate IWXXM and distribute over AMHS.